

アナログのチカラ

XBF10AxxS-G Equivalent Product

2021-Jan.-28th
TOREX SEMICONDUCTOR LTD.
Product Planning Group

1. Equivalent Products List

Item		Package	MAXIMUM RATINGS		ELECTRICAL CHARACTERISTICS		
			VR (V)	IF(AV) (A)	VF (V)	IR (μ A)	trr (ns)
Torex	XBF10A20S-G	SMAF	200	1	~0.95	~1	~35
Panjit	ER1DAFC	SMAF-C	200	1	~0.95	~1	~35
Rectron	EFM104F	SMAF	200	1	~0.95	~5	~35
Rectron	ES1DF	SMAF	200	1	~1.00	~5	~35
Yangjie	E1DF	SMAF	200	1	~1.00	~5	~35
Yangjie	E1DFS	SMAF	200	1	~1.00	~5	~35
Yangjie	U1DF	SMAF	200	1	~0.92	~5	~25
LITE-ON	FES1DD	SMAF	200	1	~0.92	~5	~25

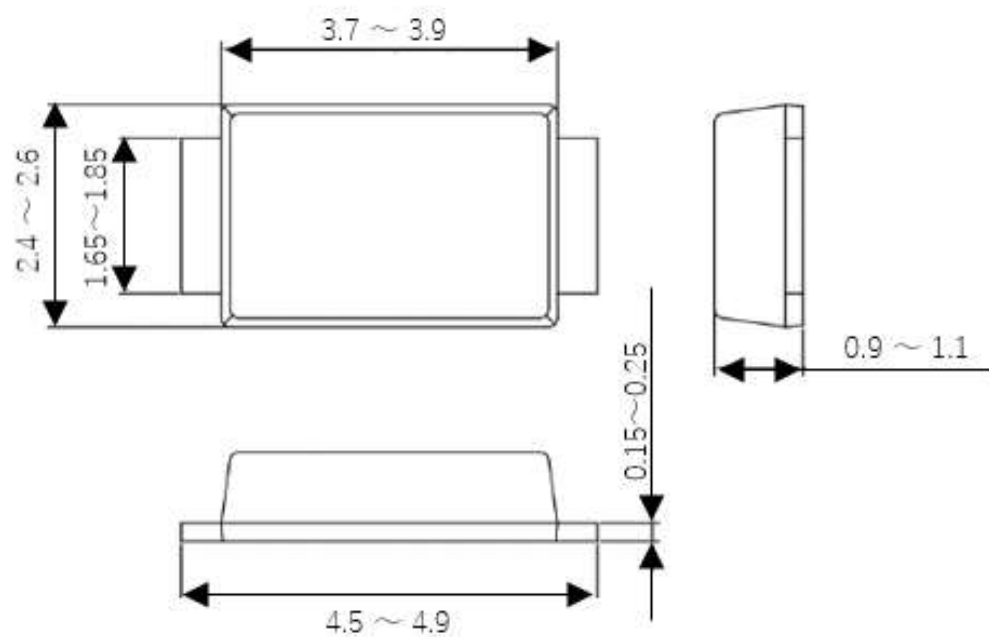
Item		Package	MAXIMUM RATINGS		ELECTRICAL CHARACTERISTICS		
			VR (V)	IF(AV) (A)	VF (V)	IR (μ A)	trr (ns)
Torex	XBF10A40S-G	SMAF	400	1	~1.25	~1	~35
Panjit	ER1GAFC	SMAF-C	400	1	~1.25	~1	~35
Rectron	EFM106F	SMAF	400	1	~1.25	~5	~35
Rectron	ES1GF	SMAF	400	1	~1.25	~5	~35
Yangjie	E1GF	SMAF	400	1	~1.30	~5	~35
Yangjie	E1GFS	SMAF	400	1	~1.30	~5	~35
Yangjie	U1GF	SMAF	400	1	~1.25	~5	~25

1. Equivalent Products List

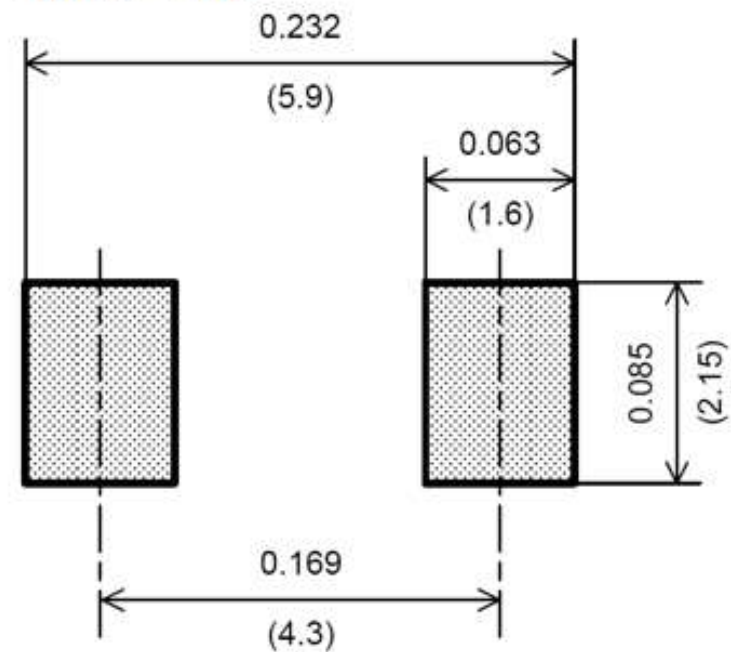
Item		Package	MAXIMUM RATINGS		ELECTRICAL CHARACTERISTICS		
			VR (V)	IF(AV) (A)	VF (V)	IR (μ A)	trr (ns)
Torex	XBF10A60S-G	SMAF	600	1	~1.7	~1	~35
Panjit	ER1JAFC	SMAF-C	600	1	~1.7	~1	~35
Rectron	EFM107F	SMAF	600	1	~1.5	~5	~50
Rectron	ES1JF	SMAF	600	1	~1.7	~5	~35
Yangjie	E1JF	SMAF	600	1	~1.7	~5	~35
Yangjie	E1JFS	SMAF	600	1	~1.7	~5	~35
Yangjie	U1JF	SMAF	600	1	~1.7	~5	~35
LITE-ON	FES1JD	SMAF	600	1	~1.3	~5	~35
LITE-ON	FES1JA	SMAF	600	1	~1.3	~5	~35

2. Equivalent Product (Out Line & Solder land)

TOREX SMAF

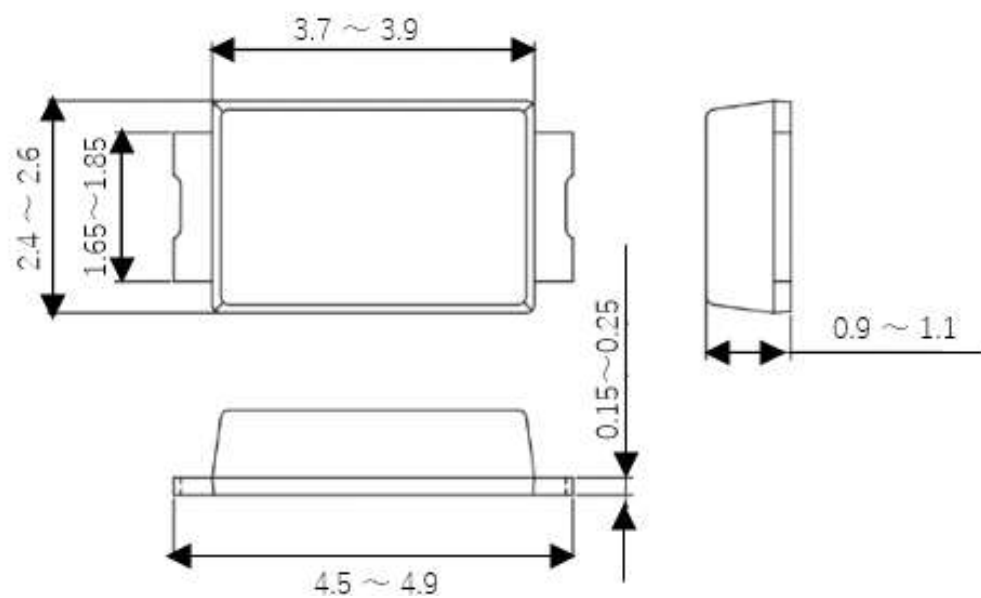


Solder land

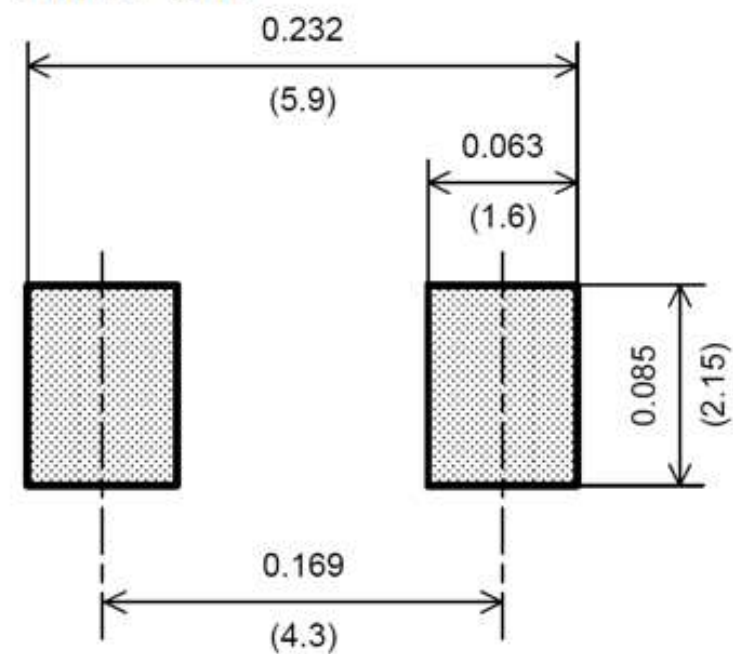


2. Equivalent Product (Out Line & Solder land)

Panjit SMAF-C

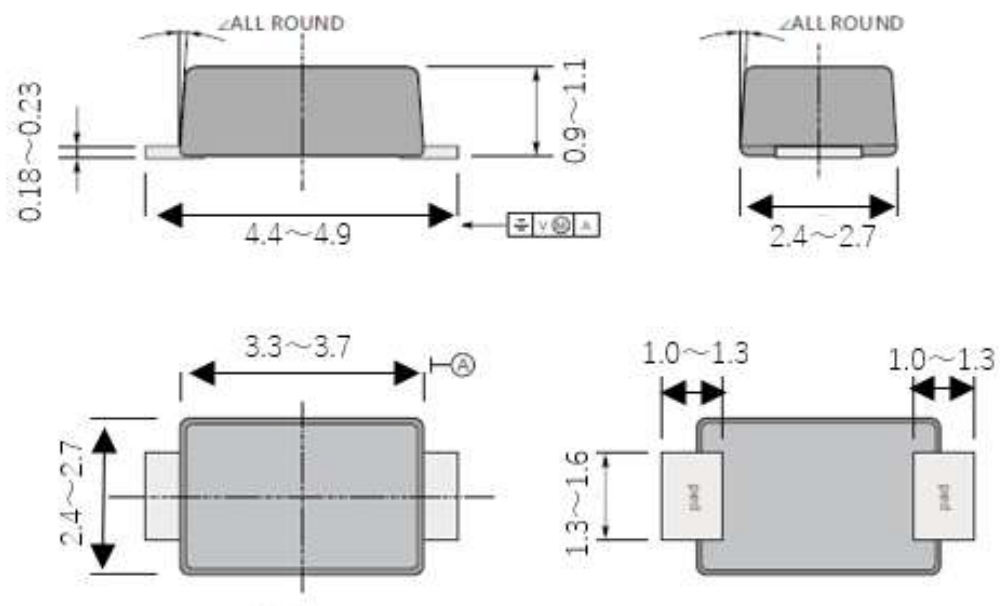


Solder land



2. Equivalent Product (Out Line & Solder Land)

Rectron SMAF

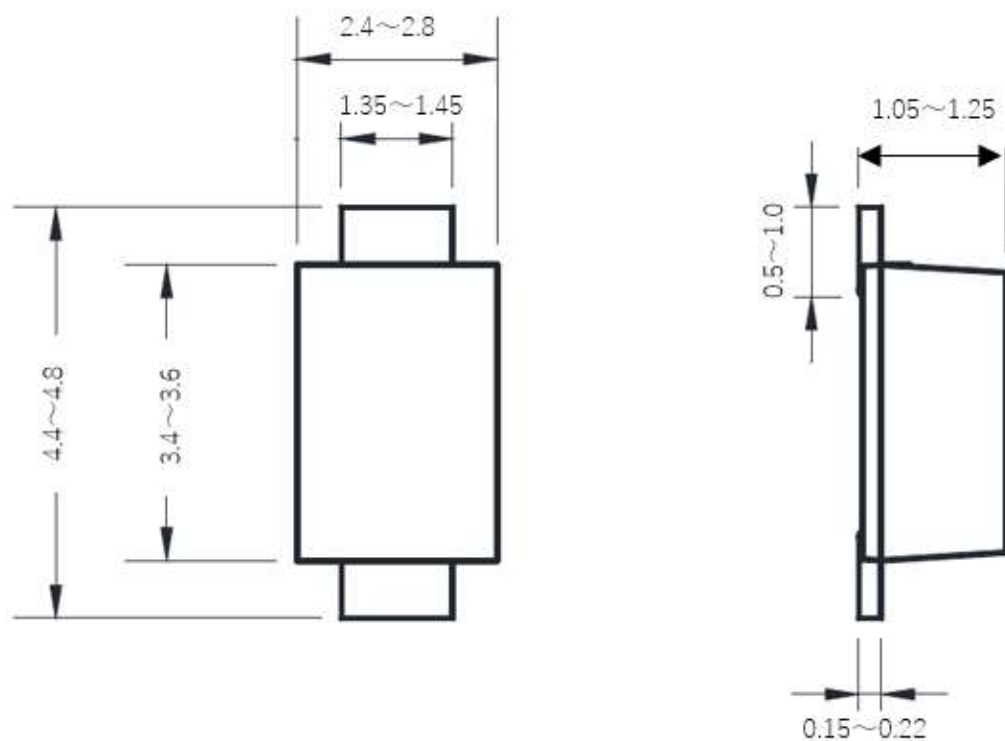


Solder land

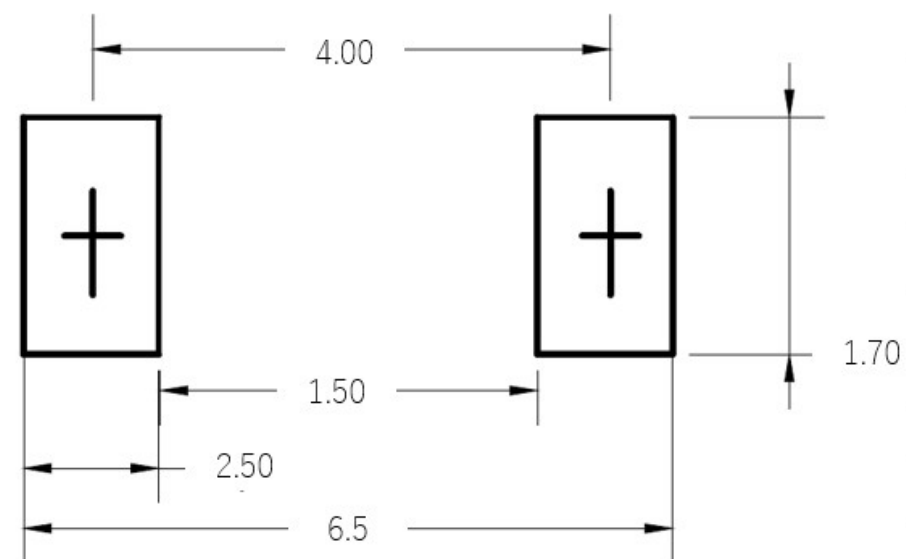


2. Equivalent Product (Out Line & Solder Land)

Yangjie SMAF

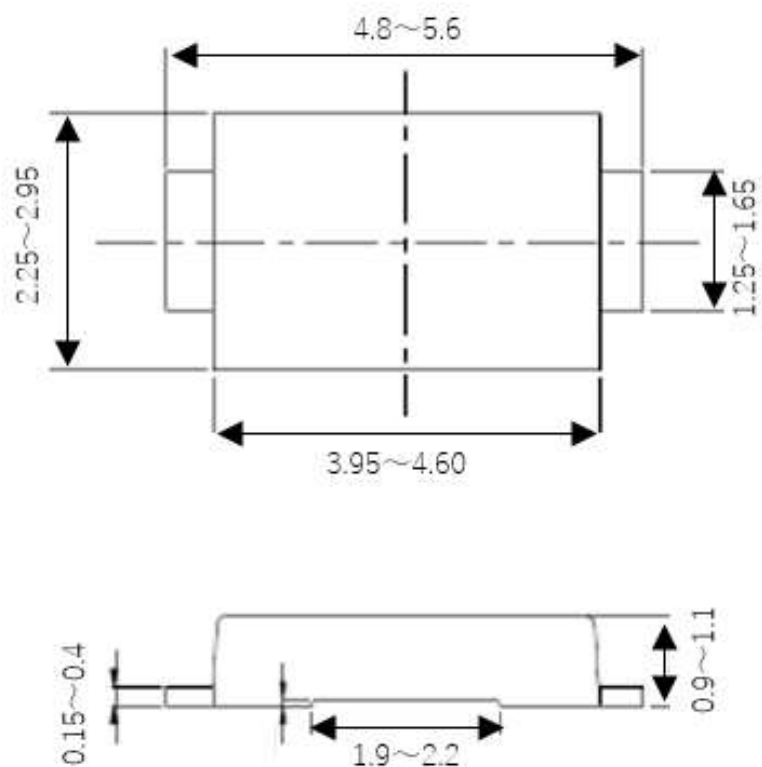


Solder land



2. Equivalent Product (Out Line & Solder land)

LITE-ON SMAF



Thank you