

アナログのチカラ

XBF20AxxS-G **Equivalent Product List**

TOREX SEMICONDUCTOR LTD.
September 16, 2021

1. Equivalent products (Ratings / Electrical Characteristics) Confidential **TOIREX**

Item		Package	MAXIMUM RATINGS		ELECTRICAL CHARACTERISTICS		
			VR (V)	IF(AV) (A)	VF (V)	IR (μA)	trr (ns)
Torex	XBF20A20S-G	SMBF	200	2	~0.95	~1	~35
Panjit	ER2DF	SMBF	200	2	~0.95	~1	~35
Rectron	ES2DBF	SMBF	200	2	~1.00	~5	~35
JSCJ	RS2DBF	SMBF	200	2	~1.30	~5	~35
Yangjie	ES2D	SMB	200	2	~0.95	~5	~35
Vishay	ES2D	SMB	200	2	~0.90	~10	~20
LITE ON	ES2D	SMB	200	2	~0.92	~5	~25
Rohm	RF201LAM2S	SOD-128	200	2	~0.87	~10	~25
Rohm	RF202LAM2S	SOD-128	200	2	~0.93	~10	~25

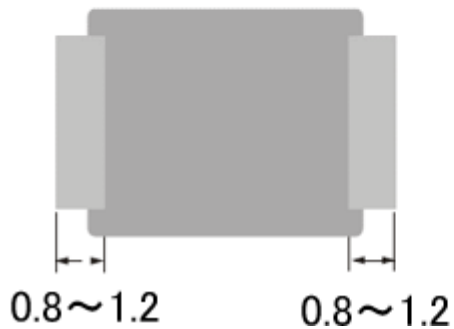
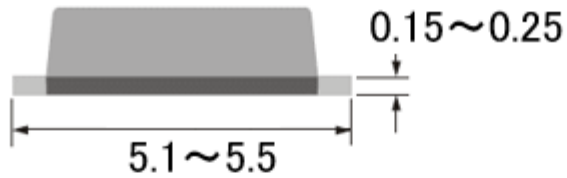
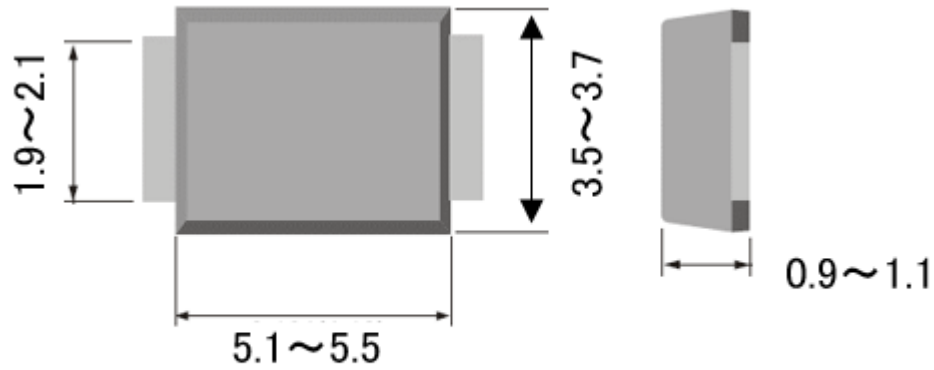
1. Equivalent products (Ratings / Electrical Characteristics) Confidential

Item		Package	MAXIMUM RATINGS		ELECTRICAL CHARACTERISTICS		
			VR (V)	IF(AV) (A)	VF (V)	IR (μ A)	trr (ns)
Torex	XBF20A40S-G	SMBF	400	2	~1.25	~1	~35
Panjit	ER2GF	SMBF	400	2	~1.25	~1	~35
Rectron	ES2GBF	SMBF	400	2	~1.25	~5	~35
JSCJ	RS2GBF	SMBF	400	2	~1.30	~5	~35
Yangjie	ES2G	SMB	400	2	~1.30	~5	~35
Vishay	ES2G	SMB	400	2	~1.10	~10	~35
LITE ON	ES2G	SMB	400	2	~1.25	~5	~25

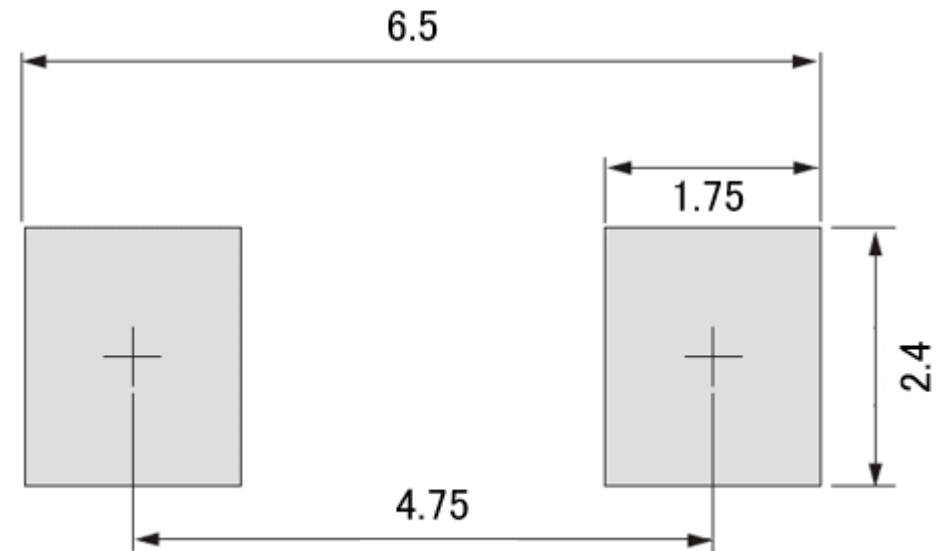
Item		Package	MAXIMUM RATINGS		ELECTRICAL CHARACTERISTICS		
			VR (V)	IF(AV) (A)	VF (V)	IR (μ A)	trr (ns)
Torex	XBF20A60S-G	SMBF	600	2	~1.7	~1	~35
Panjit	ER2JF	SMBF	600	2	~1.7	~1	~35
Rectron	ES2JBF	SMBF	600	2	~1.65	~5	~35
JSCJ	RS2JBF	SMBF	600	2	~1.30	~5	~35
Yangjie	ES2J	SMB	600	2	~1.70	~5	~35
Vishay	MURS260	SMB	600	2	~1.45	~5	~50
LITE ON	ES2J	SMB	600	2	~1.30	~5	~35

2. Equivalent products (Out Line / Solder land)

TOREX SMBF

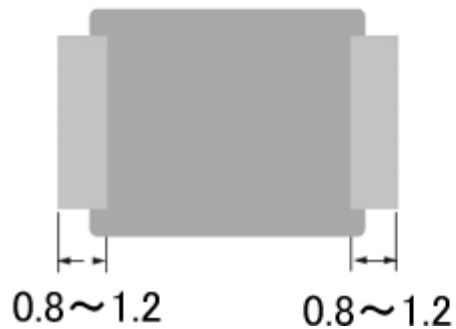
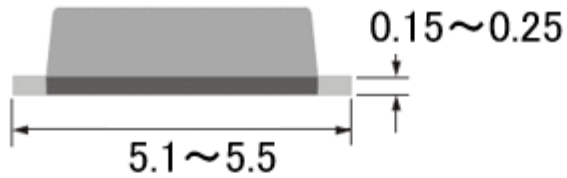
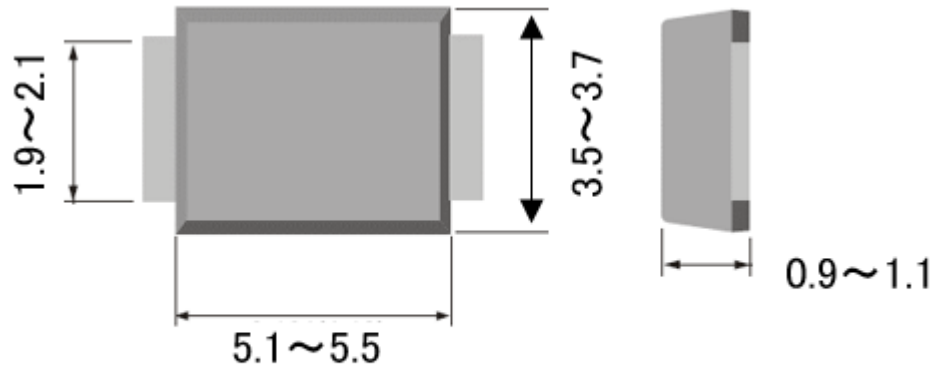


【 Mounting Pad Layout 】

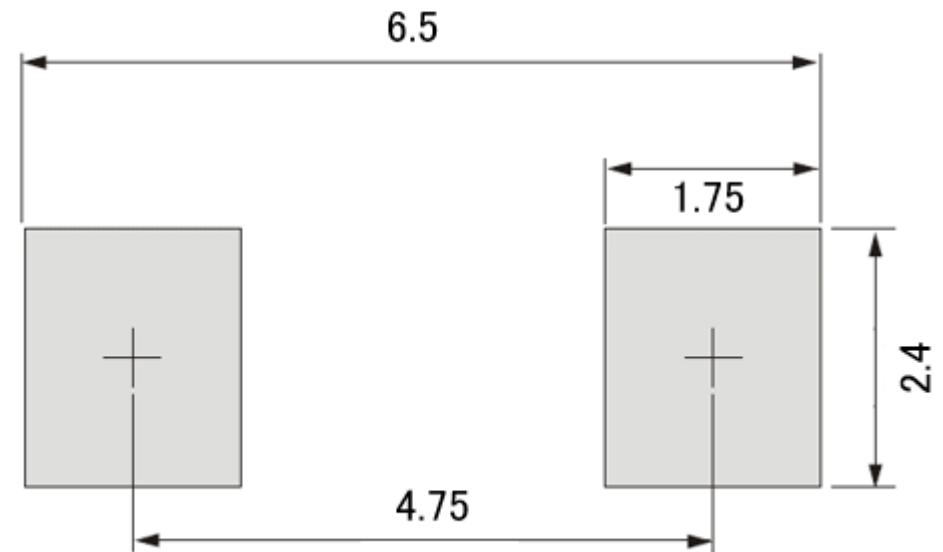


2. Equivalent products (Out Line / Solder land)

Panjit SMBF

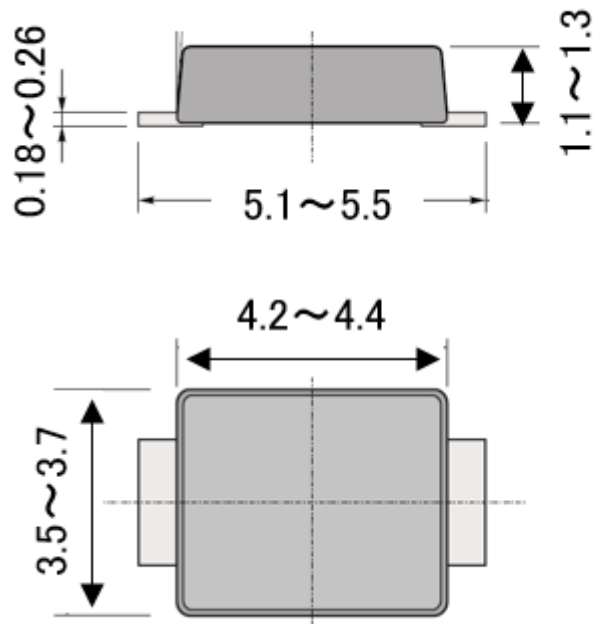


【 Mounting Pad Layout 】

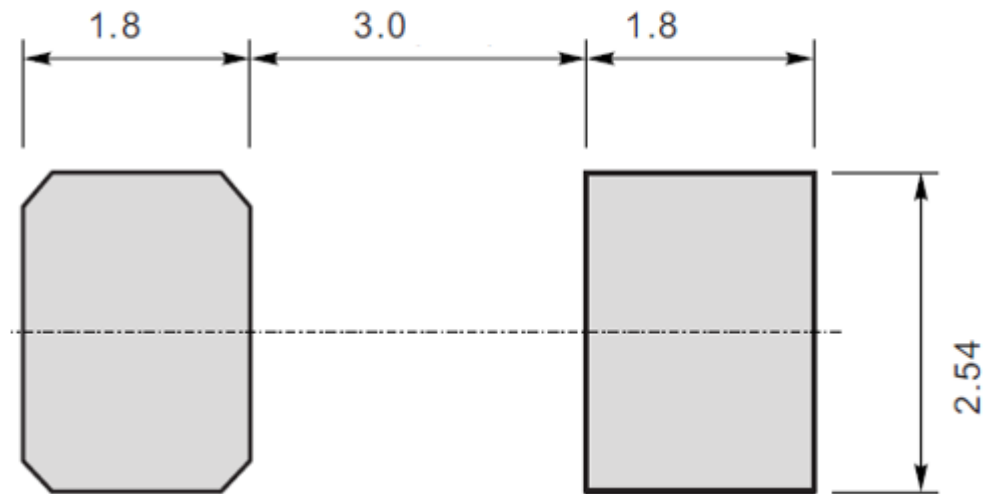


2. Equivalent products (Out Line / Solder land)

Rectron SMBF

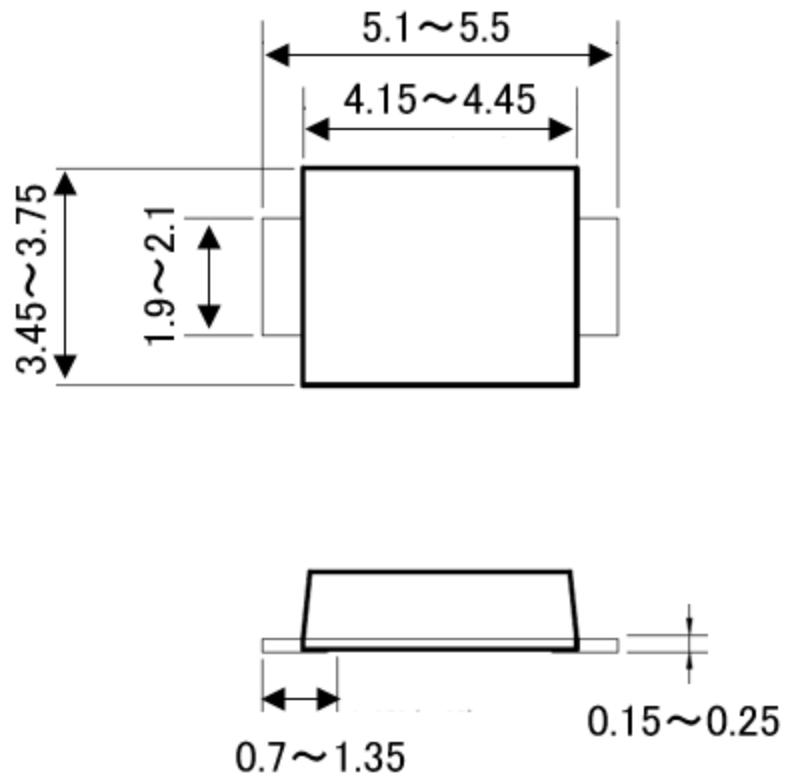


【 Mounting Pad Layout 】

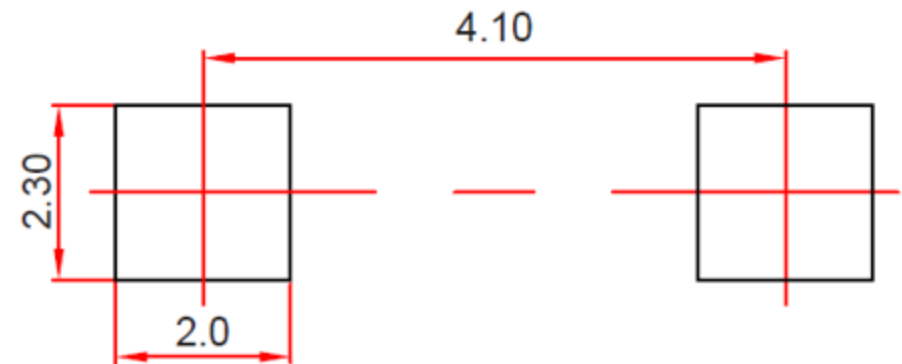


2. Equivalent products (Out Line / Solder land)

JSCJ SMBF



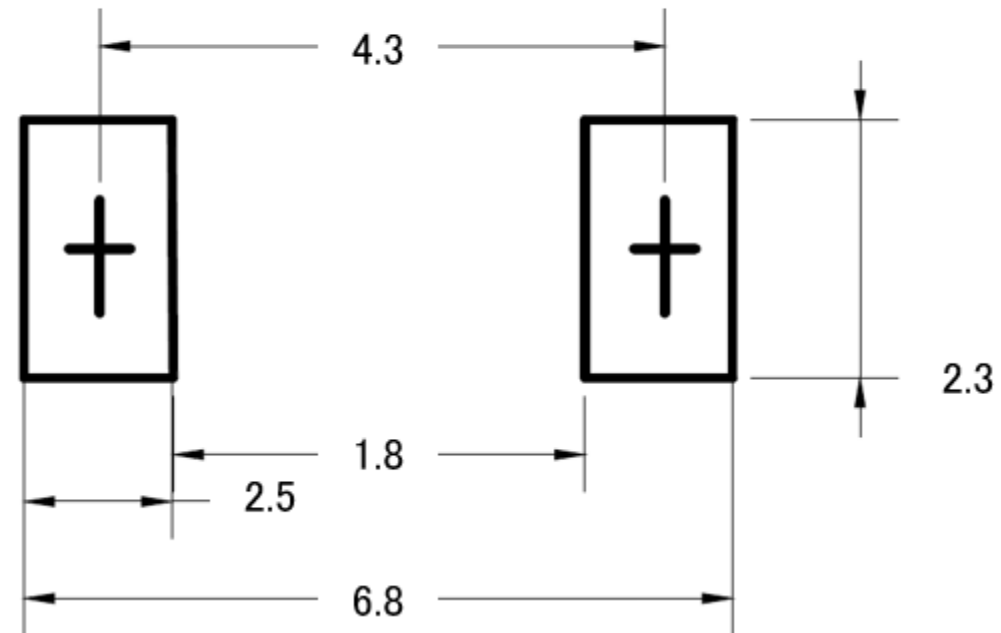
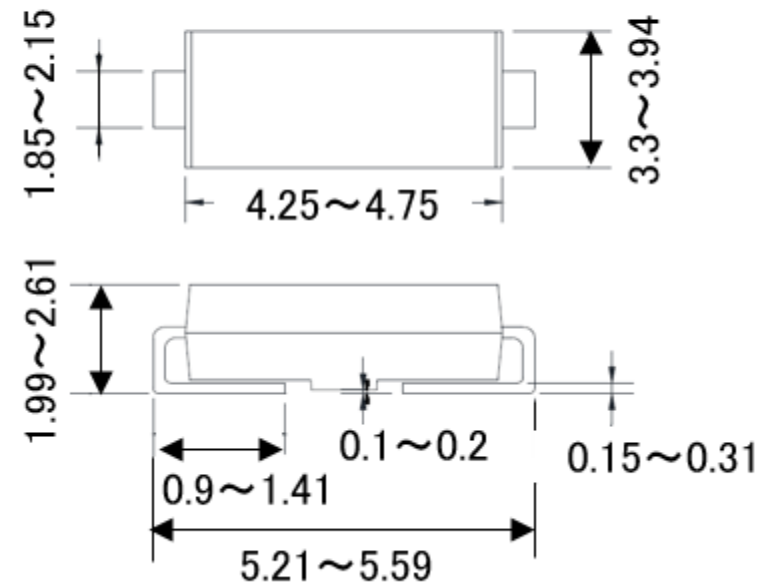
【 Mounting Pad Layout 】



2. Equivalent products (Out Line / Solder land)

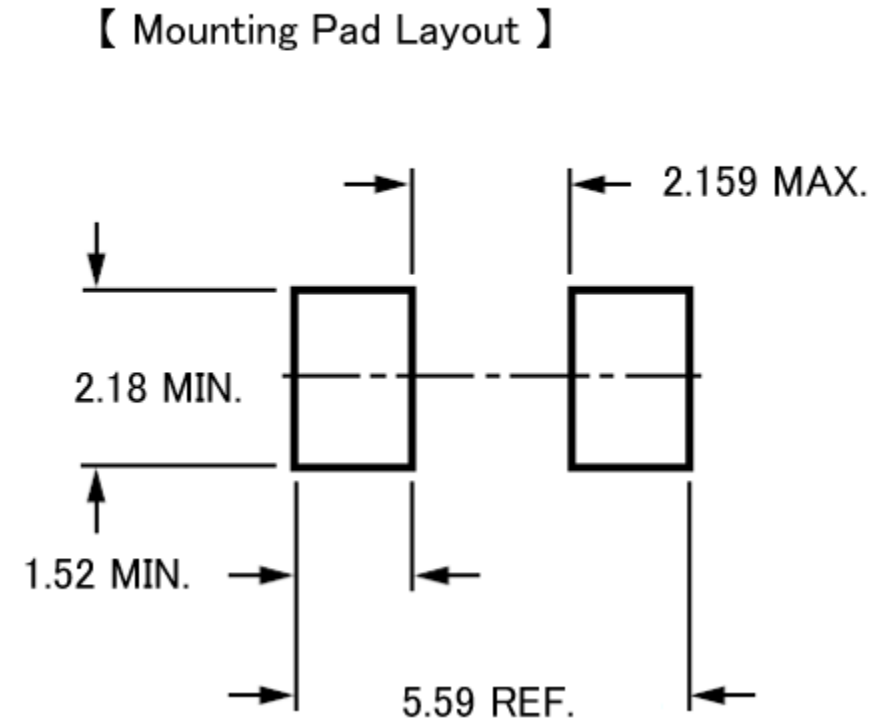
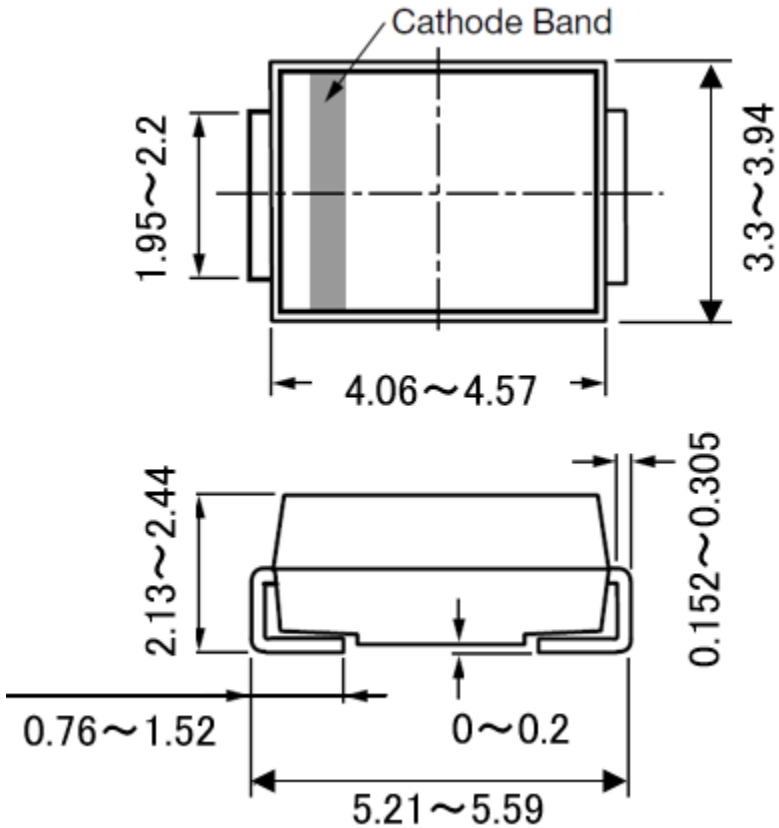
Yangjie SMB

【 Mounting Pad Layout 】



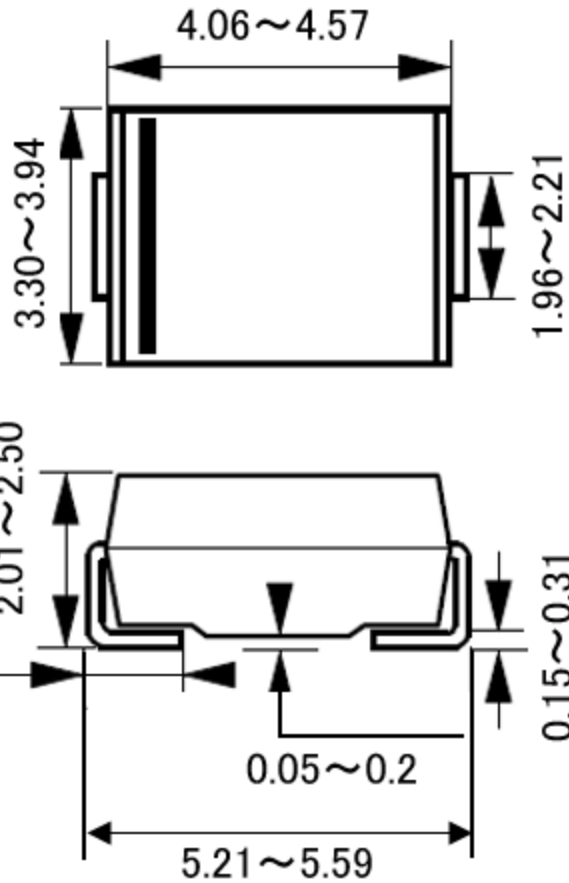
2. Equivalent products (Out Line / Solder land)

Vishay SMB



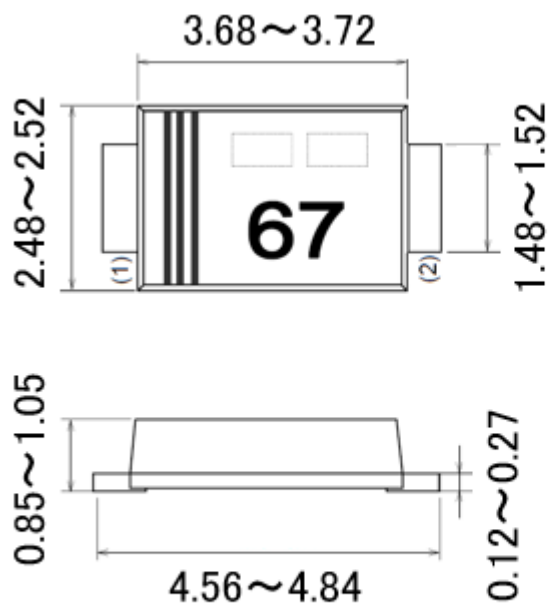
2. Equivalent products (Out Line / Solder land)

LITE ON SMB

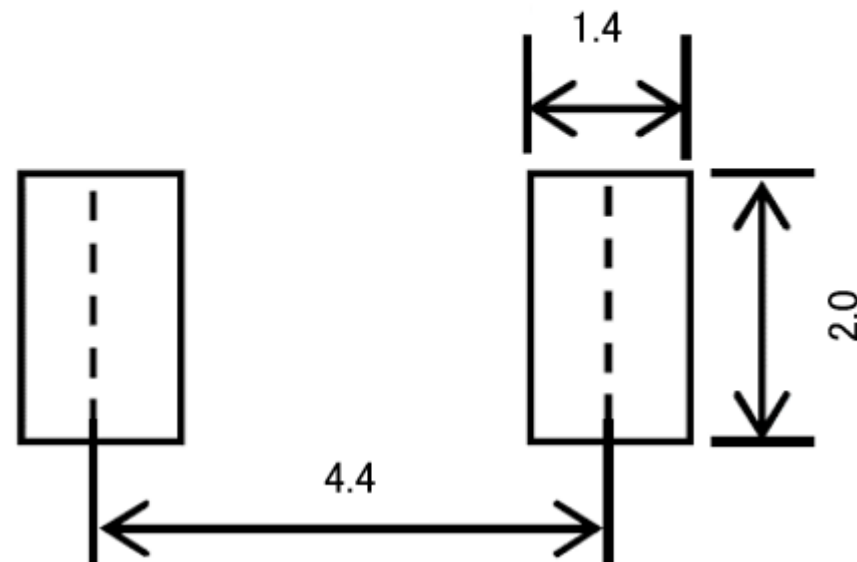


2. Equivalent products (Out Line / Solder land)

Rohm SOD-128



【 Mounting Pad Layout 】



Thank you